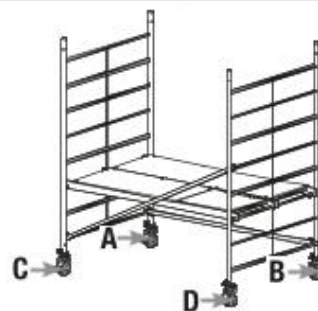
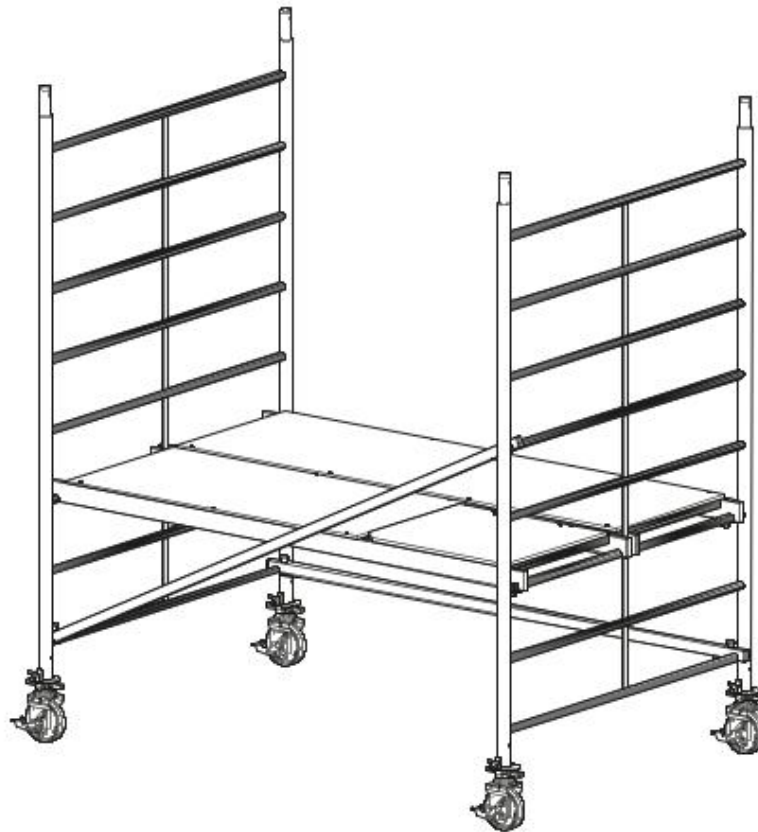
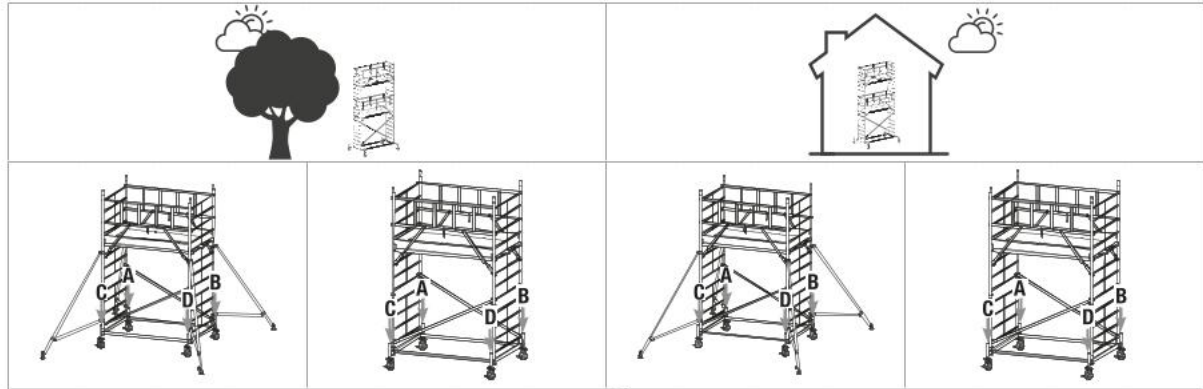


13.



	A	B	C	D	A	B	C	D
< 3,00	0	0	0	0	0	0	0	0



	A	B	C	D	A	B	C	D	A	B	C	D	A	B	C	D
<b>4,30</b>	0	0	0	0	1	1	1	1	0	0	0	0	0	0	0	0
<b>5,30</b>	0	0	0	0	4	4	4	4	0	0	0	0	0	0	0	0
<b>6,30</b>	0	0	0	0	X				0	0	0	0	X			
<b>7,30</b>	0	0	0	0					0	0	0	0				
<b>8,30</b>	0	0	0	0					0	0	0	0				
<b>9,30</b>	1	1	1	1					0	0	0	0				
<b>10,30</b>	3	3	3	3					0	0	0	0				
<b>11,30</b>	X				X				0	0	0	0	X			
<b>12,30</b>	X								0	0	0	0				